

GLASSGO

GlassGo is a glass turnstile intended for inside applications with the requirement of access control system integration. This motorized pedestrian blades combined of glass and stainless steel design elements. As an outcome, we have space and cost saving product of aesthetic performance.

The GlassGO full-height turnstile has an elegant look and perfectly fits into interior of the most modern entrances. This type can be a perfect alternative to revolving doors.



*GLASSGO TURNSTILE IS A COMBINATION
OF RELIABLE SECURITY AND STYLISH DESIGN*

 **580**
mm
PASSAGE WIDTH

 **20**
pers/min
SINGLE ACCESS

 **30**
pers/min
FREE ACCESS

 **IP 41**
PROTECTIVE LEVEL

 **BI-DIRECTIONAL**



Key advantages:

- Works on the principle of a classic full-height turnstile, however elegant side blades rotor are made of impact-resistant glass
- Low noise system operation
- Successful combination of affordable price and high quality
- Wide range of accessories
- Steadfast housing suitable for high traffic areas
- Can be integrated with any type of access control systems
- Low power consumption
- Wired remote control panel is in a standard kit
- In case of power failure, fail-secure by default (rotor locked in both directions);

Options:

- Any access control systems upon request (e.g. passage counter, RFID/Proximity/BioMetric readers, coin acceptor, push button, barcode and QR-code reader)
- OEM / logo application
- Lane light
- Fail-safe mode under request

Controlled by:

-  access control system;
-  manual control

When power goes OFF both directions are locked.

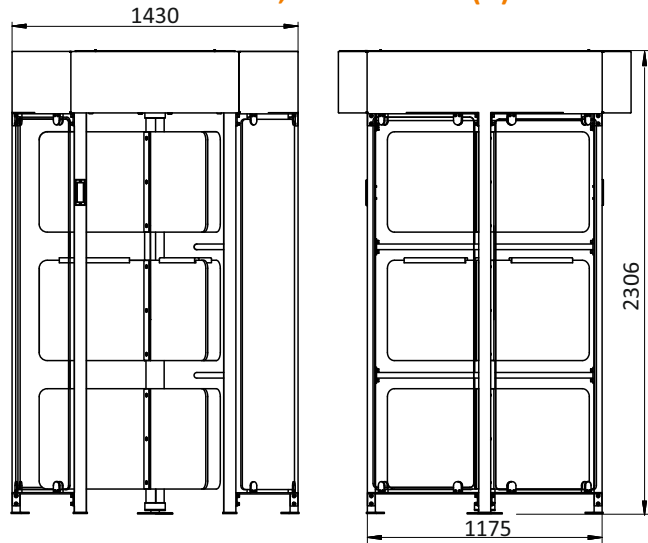
Electrical Specifications:

- Voltage:
 - from the AC (100-240)V, 50/60Hz;
 - from a DC source 12 V;
- Maximum power consumption 155W per pass.

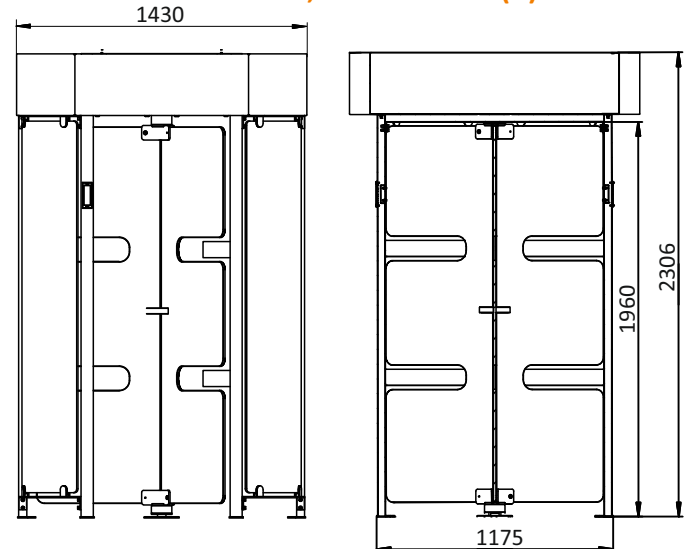
Technical Specifications:

Angle between blades	Y-type / 120°
Unit width, mm	1142
Unit length, mm	1175
Unit height, mm	2306
Passage width, mm	580
Mechanism	servo-driven
MCBF	10 000 000 cycles
Standard housing	Brushed SS AISI 304
Available housing	Brushed SS AISI 316
	Polished SS AISI 304
	Polished SS AISI 316
	Powder coated RAL

GLASSGO, Modification (A)



GLASSGO, Modification (B)



Recommended installation areas:

- Governmental Institutions
- Recreation areas
- Sport Complexes
- Commercial areas
- Production sites (Industrial Plants)
- Education Institutions
- Enterprises
- Urban areas
- Financial Institutions and others

